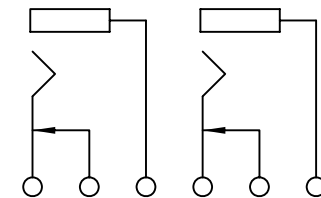
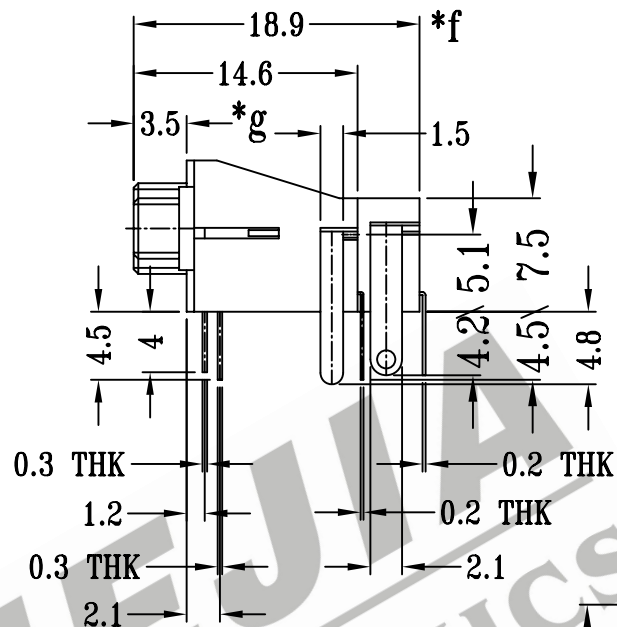
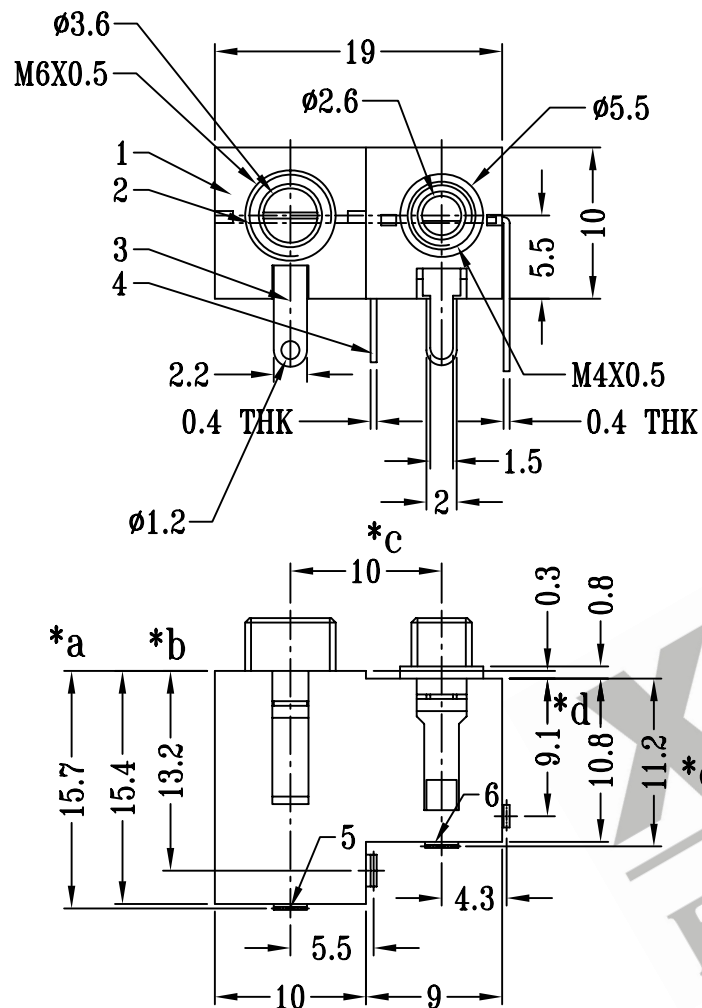
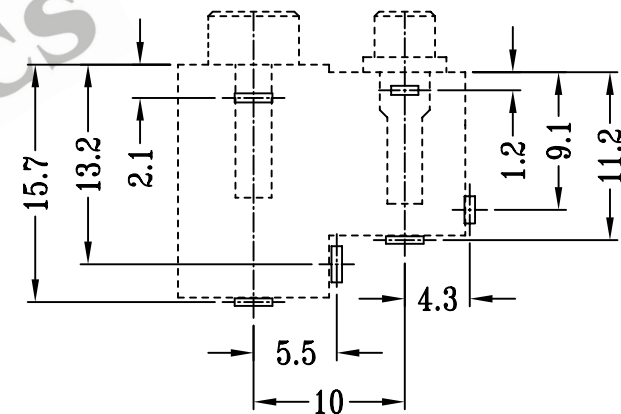


CAD FILE:



SCHEMATIC



P.C.B LAYOUT

| | |
|---------------|-------------|
| BUSHING | UN-THREADED |
| BUSHING COLOR | NICKEL |
| CONTACTFORM | 3 |

注:带"*"表示关键尺寸(7个)

| | | | | | | | | | | |
|-----|-----------------|-----------------|------|--------------------------|---|--------------------------------------|------------|----------------------------|-----------|-----------|
| 8 | | | | | TOLERANCE | SHENZHEN XIEJIA ELECTRONICS CO.,LTD. | | | | |
| 7 | | | | | UNLESS SPECIFIED | | | | | |
| 6 | SPRING TERMINAL | STAINLESS STEEL | 1 | Ag PLATED OVER Ni PLATED | WITHIN: 1.5 ±0.1mm | ISSUE | DATE | DESCRIPTIONS OF REVISION | | APPD. |
| 5 | SPRING TERMINAL | PBS STRIP | 1 | Ag PLATED OVER Ni PLATED | OVER: 1.5 ±0.2mm | | | | | |
| 4 | TERMINAL B | BRASS STRIP | 2 | Ag PLATED OVER Ni PLATED | TITLE : PHONE JACK | | UNIT : mm | DRWG NO.: XJ-DR-PY6401C-00 | | |
| 3 | TERMINAL A | BRASS STRIP | 2 | Ag PLATED OVRT Ni PLATED | MODEL: PY-6401C | | SCALE: 2:1 | DWN. | ZHOUYU | 2004-12-8 |
| 2 | SOCKET | BRASS | 2 | Ni PLATED | ALL MATERIALS MUST BE COMPLIANT TO ROHS | | | CHK'D | FANGYING | 2004-12-8 |
| 1 | CASE | PC | 1 | BLACK | | | | APPD. | KANGXINAN | 2004-12-8 |
| NO. | PARTS | MATERIALS | Q'TY | FINISH | | | | | | |